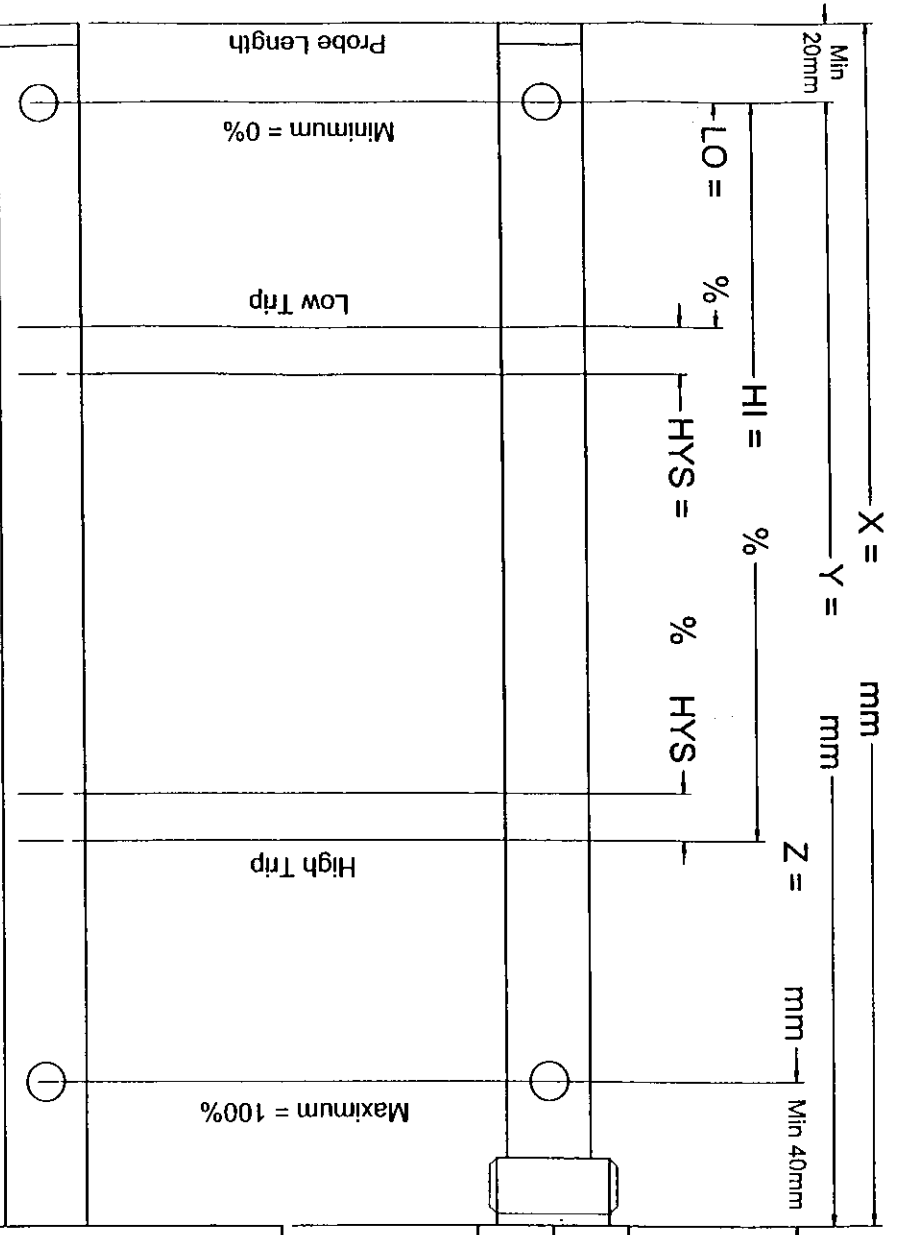


Liquid:	
Voltage Output:	
Current Output:	
Switches:	



Dimension 'X' is typically set so the end of the probe is 20mm from the bottom of the tank

If dimension 'Y' is not specified, the gauge is calibrated so minimum is when the level is 20mm from the end of the probe

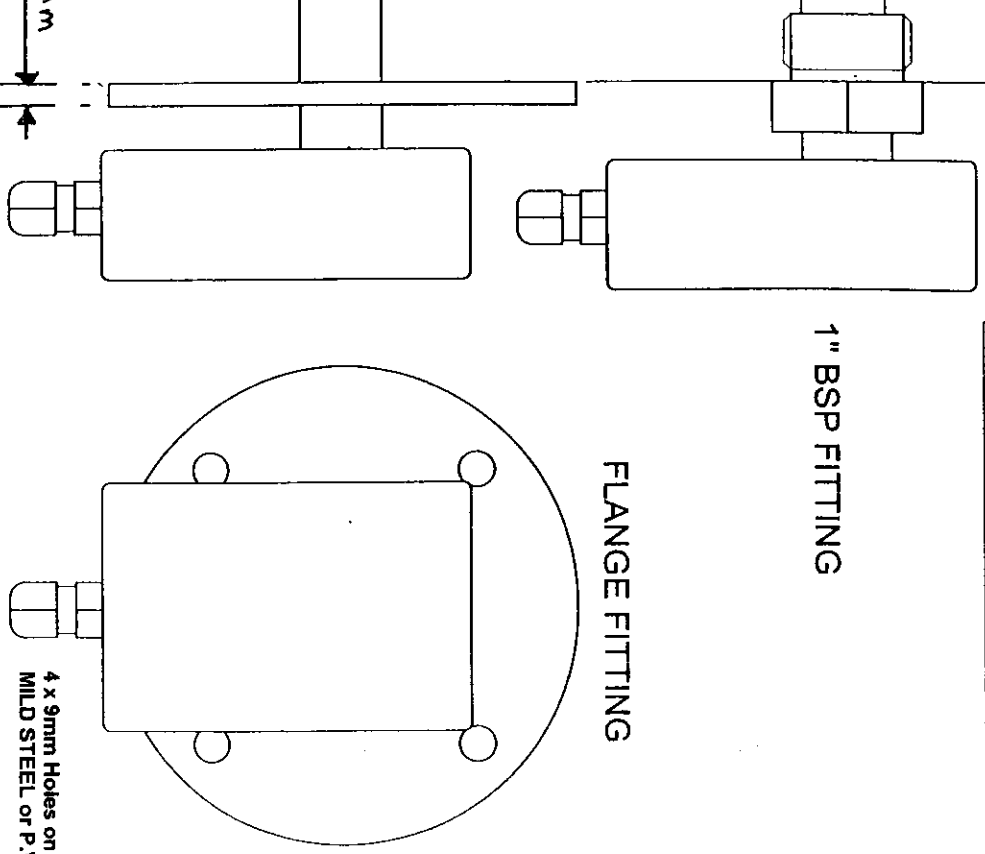
If dimension 'Z' is not specified, it is set to 40mm

If dimension 'L' is not specified, it is set to 0

If dimension 'H' is not specified, it is set to 100%

If dimension 'HYS' is not specified, it is set to 5%

6 mm



Issue	ECN No	Date	Material:	Drawn:	Approved:	Scale:
			Bayharn Ltd Rutherford Road Danehill West Industrial Estate Basingstoke RG24 8PG	Finish:	Checked:	Sheet of
TRANS GAUGE LPS			Dimensional requirements			
			Drawing No: 7220 DIM			